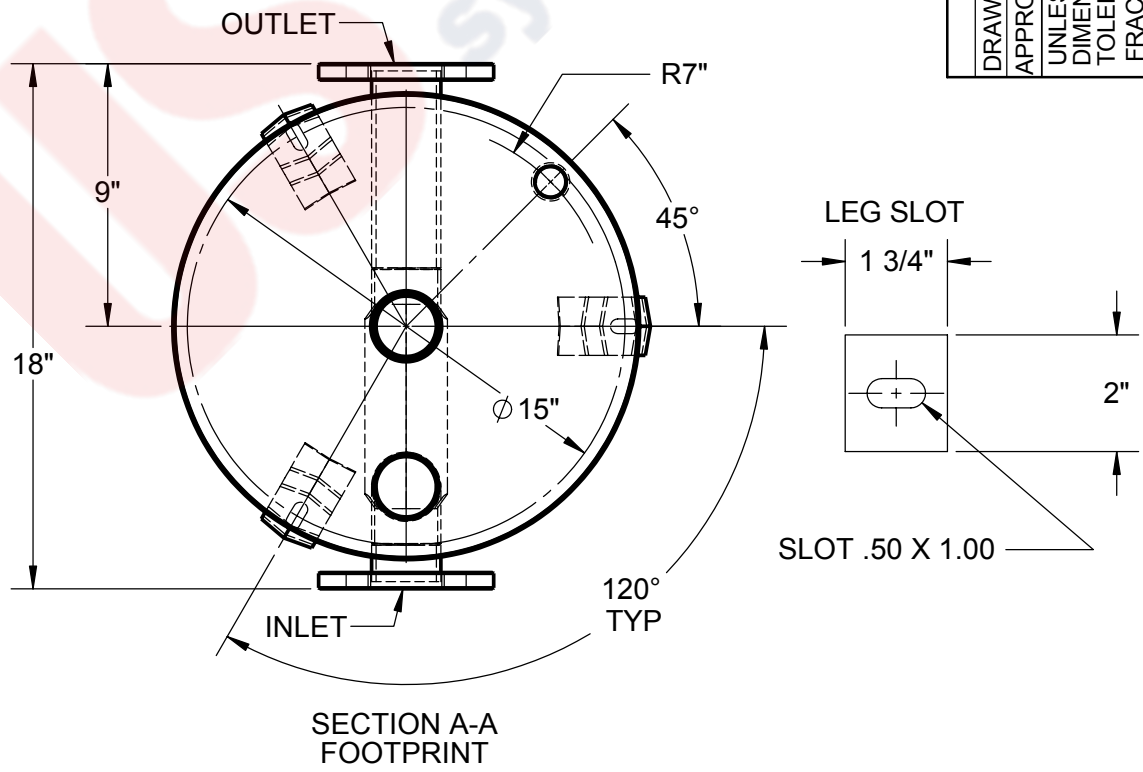
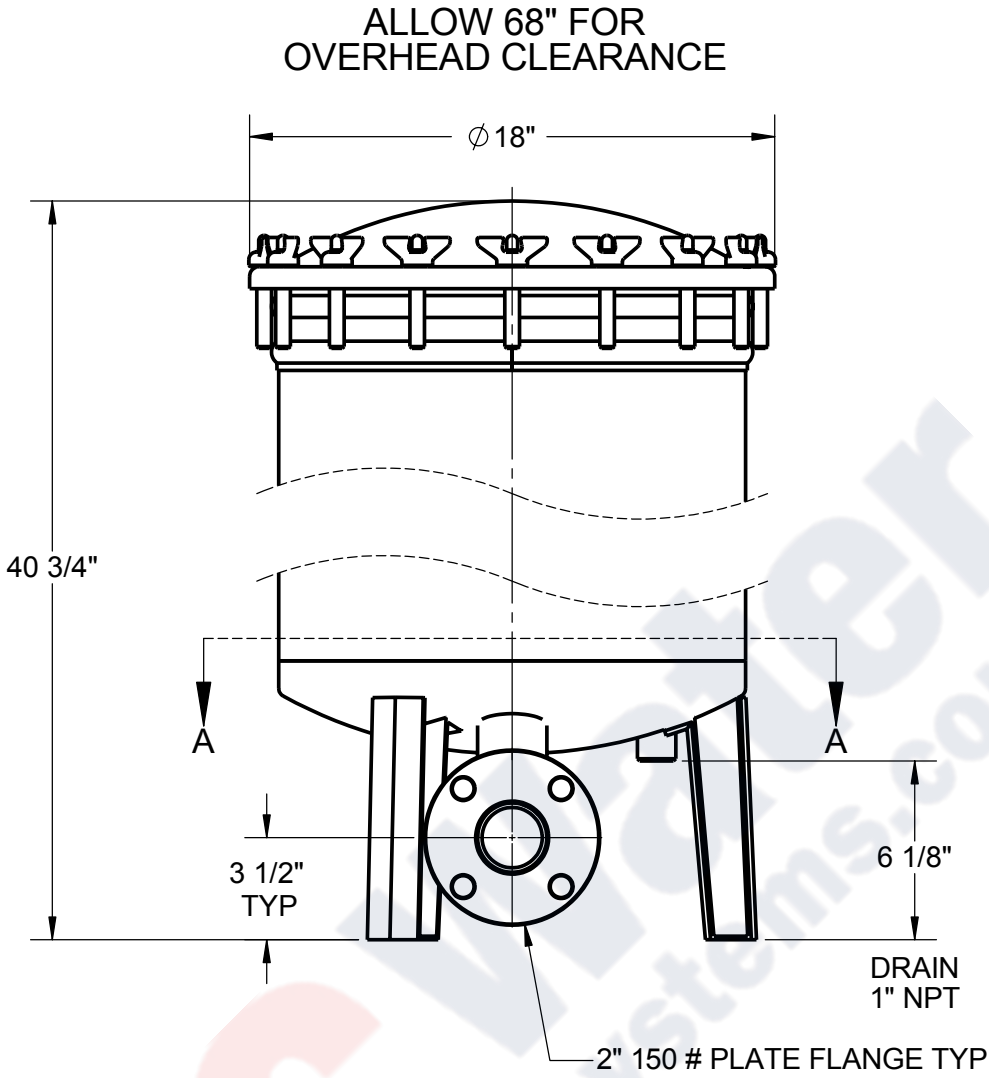


THE INFORMATION CONTAINED IN THIS DRAWING IS THE SOLE PROPERTY OF HARMSCO INC. ANY REPRODUCTION IN PART OR WHOLE WITHOUT EXPRESSED WRITTEN CONSENT IS PROHIBITED.

REV.	DESCRIPTION	DATE	APPROVED



HARMSCO INC.		P.O. BOX 14066		N. PALM BEACH, FL	
SCALE "1:6"		PART NAME		PART NO.	
DRAWN		DATE		HIF 42FL	
APPROVED		RS		12-08	
UNLESS OTHERWISE SPECIFIED DIMENSIONS ARE IN INCHES TOLERANCES ARE: FRACTIONS DECIMALS ANGLES +/- 1/8 +/- .010 +/- 1°					
DRAWN ON CAD DO NOT SCALE					

INSTALLATION DIAGRAM